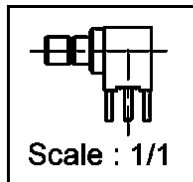
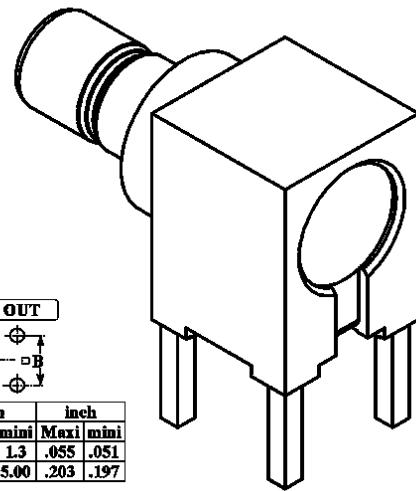
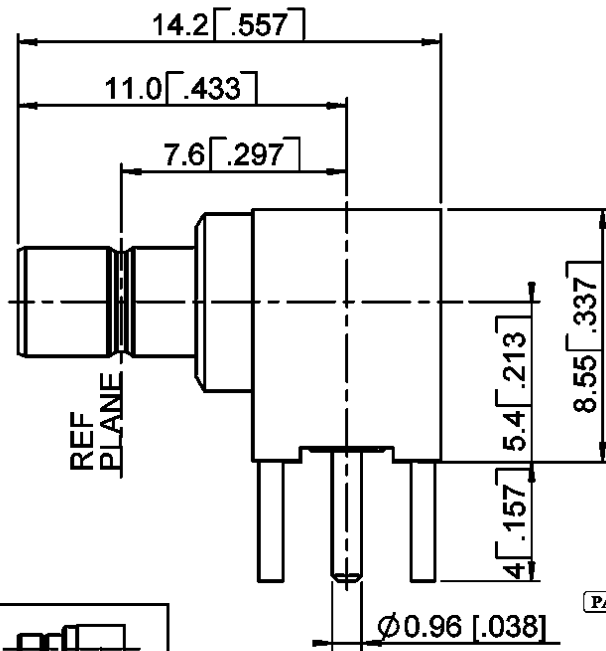
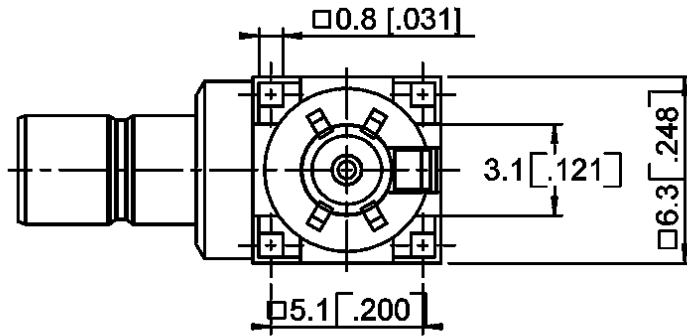


R/A MALE RECEPTACLE FOR PCB
SOLDER LEGS NON MAGNETIC

R114.665.107

Series : SMB

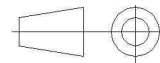


PANEL CUT OUT

A DIA
5 holes

	mm		inch	
	Maxi	mini	Maxi	mini
A	1.4	1.3	.055	.051
B	5.16	5.00	.203	.197

All dimensions are in mm.



COMPONENTS	MATERIALS	PLATING (µm)
BODY	NON MAGNETIC BRONZE	GBR 2
CENTER CONTACT	NON MAGNETIC BRONZE	GOLD 1.3 OVER COPPER 2.5
OUTER CONTACT	-	-
INSULATOR	PTFE	-
GASKET	-	-
OTHERS PARTS	NON MAGNETIC BRONZE	BBR 2
-	-	-
-	-	-

Issue : 1012 A

In the effort to improve our products, we reserve the right to make changes judged to be necessary.



R/A MALE RECEPTACLE FOR PCB

R114.665.107

SOLDER LEGS NON MAGNETIC

Series : **SMB**

PACKAGING

SPECIFICATION

Standard	Unit	Other
100	'W' option	Contact us

ELECTRICAL CHARACTERISTICS

ENVIRONMENTAL

Impedance	50	Ω
Frequency	0-4	GHz
VSWR	1.20* + 0,0000	x F(GHz) Maxi
Insertion loss	0.25*	\sqrt{F} (GHz) dB Maxi
RF leakage	- (57)	- F(GHz)) dB Maxi
Voltage rating	500	Veff Maxi
Dielectric withstanding voltage	1000	Veff mini
Insulation resistance	1000	M Ω mini

Operating temperature	-65/+165	$^{\circ}$ C
Hermetic seal	NA	Atm.cm3/s
Panel leakage	NA	

OTHER CHARACTERISTICS

Assembly instruction

Others :

* COAXIAL TRANSMISSION LINE ONLY

Non magnetic component

Distorsion of the magnetic field
<0.5 ppm at 10mm at Bo=1.5 Tesla

MECHANICAL CHARACTERISTICS

Center contact retention		
Axial force – Mating end	10	N mini
Axial force – Opposite end	10	N mini
Torque	NA	N.cm mini
Recommended torque		
Mating	NA	N.cm
Panel nut	NA	N.cm
Mating life	500	Cycles mini
Weight	2,9700	g

Issue : 1012 A

In the effort to improve our products, we reserve the right to make changes judged to be necessary.

RADIALL 